

TM 2400 Buoy

2400 mm Navigation Buoy



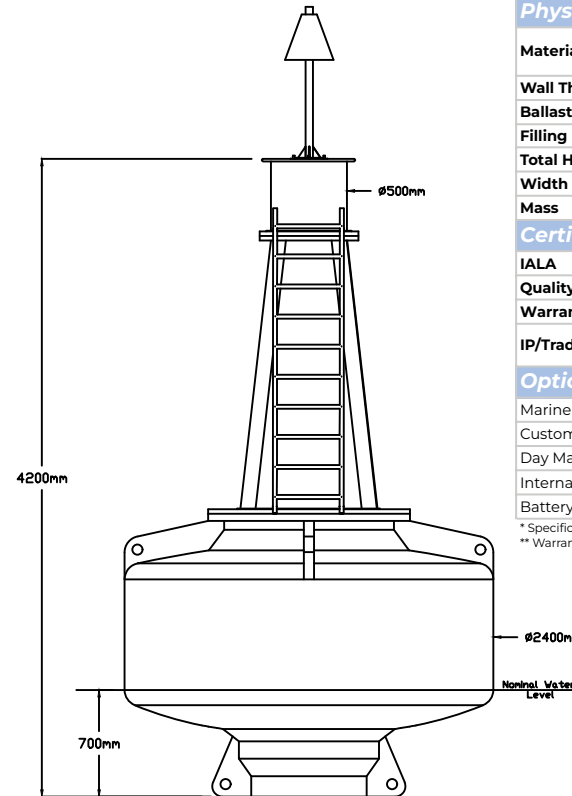
Tritonbuoys has developed a diverse selection of navigation buoys that adhere to rigorous quality standard and boast a proven track record of reliability. Each buoy is crafted from premium UV-stabilized virgin polyethylene and filled with closed-cell polyurethane to prevent water ingress if the outer layer is damaged. This design ensures exceptional performance and long-lasting durability.

Product Code: TM 2400

The Tritonbuoys TM2400 is a highly durable, high-visibility navigational aid suitable for various applications, such as lateral marking, special marking, and cardinal marking. Its internal steel components are made from stainless steel, enhancing both its longevity and strength. The TM3000 is constructed in multiple segments to allow for easy transportation, assembly, servicing and partial replacements where necessary.

Features:

- Excellent buoyancy and stability.
- Made from multiple components.
- Double lifting and mooring eye.
- Easy assembly and installation.
- 316-grade tie in bars provide outstanding strength.



General Characteristics

Diameter	2400 mm
Focal Plane Height	3500 mm + Navigation Lantern
Available Colour	Green, Red, Yellow, White as per IALA recommendations; Customisation Available.
Total Float Volume	5300 L
Nominal Freeboard	1060 mm
Nominal Draft	700 mm
Total Reserve Buoyancy	4600 kg
Operational Buoyancy	2900 kg
Maximum Mooring Load	2900 kg
Draft, Maximum	1200 mm
Freeboard, Minimum	660 mm
Visual/Focal Area	4 m ² (Focal Area Wings Available for Increased Focal Area)

Physical Characteristics

Material	Rotationally- Moulded UV Stabilized Virgin Polyethylene
Wall Thickness	12 mm Buoy Section; 7 mm Top Section
Ballast (Internal Concrete)	690 kg (Customisable)
Filling	Closed cell Polyurethane (Density > 45kg/m ³)
Total Height	4200 mm
Width	2400 mm
Mass	510 kg (1200 kg including internal ballast)

Certifications

IALA	Surface colours compliant to IALA E-108
Quality Assurance	ISO9001:2015
Warranty	3 Years
IP/Trademark	TRITONBUOYS® is a registered trademark

Options Available

- Marine Lanterns
- Customised Configuration
- Day Marks
- Internal Radar Reflector
- Battery Box

* Specifications subject to change or variation without notice
 ** Warranty subject to terms & conditions