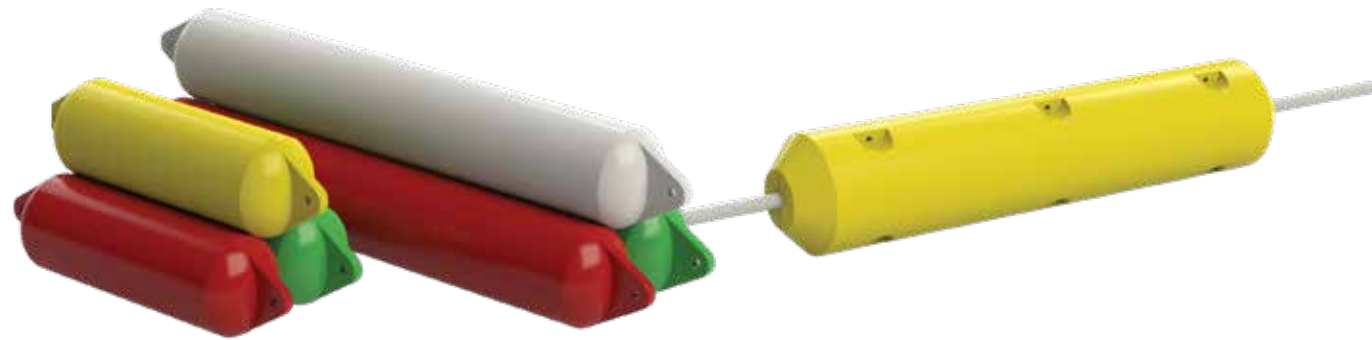


# Floats

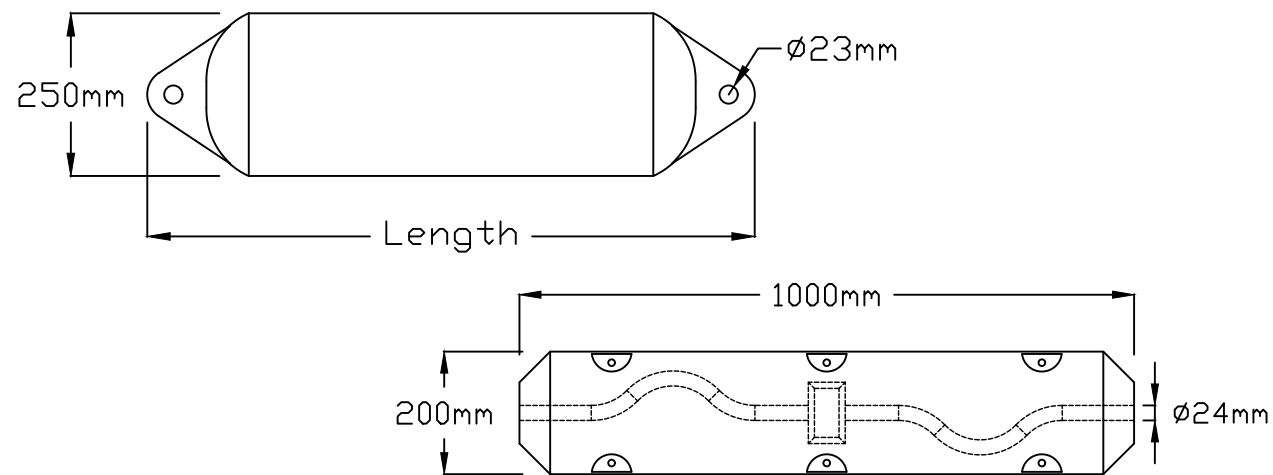
## TMF-250-1 & 2 / TM Rope Float



Tritonbuoys floats are constructed from UV-stabilized polyethylene, guaranteeing durability, watertight integrity, and suitability for marine environments. This high-grade material ensures that our floats withstand harsh conditions and maintain their functionality over time, making them ideal for various marine applications.

**Product Code: TMF-250-1&2 / TM Rope Float**

The Tritonbuoys TMF 250-1, 250-2, and rope floats are perfect for a range of demarcation applications, including swimming areas, jellyfish barriers, security barriers, and more. These versatile floats are designed to provide effective separation and marking in diverse environments, ensuring safety and clarity for users.



**Features:**

- Highly durable.
- Lightweight for easy handling.
- A variety of high visibility colours.
- Range of sizes available.



	TM-F 250 - 1	TM-F 250 - 2	TM-F Rope Float
<b>General Characteristics</b>			
<b>Available Colour</b>	Green, Red, Yellow, White as per IALA; Customisation Available.		
<b>Physical Characteristics</b>			
<b>Material</b>	Rotationally- Moulded UV Stabilized Virgin Polyethylene		
<b>Wall Thickness</b>	8mm	8mm	8mm
<b>Filling</b>	Closed Cell Polyurethane (Density > 45kg/m <sup>3</sup> )		
<b>Diameter</b>	250mm	250mm	200mm
<b>Total Length</b>	750mm	1500mm	1000mm
<b>Net Weight</b>	5kg	10kg	5kg/set
<b>Certifications</b>			
<b>Warranty</b>	1 Year**		
<b>IP/Trademark</b>	TRITONBUOYS® is a registered trademark		
<b>Features</b>			
	Single Hull Piece	Single Hull Piece	Suitable for 18-26mm PP Rope
	Fixed 23mm eye each side	Fixed 23mm eye each side	Sectional - Made from 2 halves
			Self Locking Rope - Not rope clamps required

\* Specifications subject to change or variation without notice  
 \*\* Warranty subject to terms & conditions